

BUILDERS HARDWARE SHANGHAI HALEIGH



014
ISO9001:2000
Registration No. 0505045



INTRODUCTION

SHANGHAI HALEIGH was founded in 1999. We are a doors, windows and furniture hardware manufacturer in China. Our products are selling to United States, Canada, Mexico, Japan, Australia, New Zealand and European Market.

We are specialised in manufacturing Barn door hardware and all the accessories. We have professional design team and inspection equipment.

High quality, delivery in time, and professional after-sales service are our Strengths.

Don't hesitate to contact us for more details about our products. Any questions from you will be welcomed.

Also we can receive requirements of customized special specifications.



014
ISO9001:2000
Registration No. 0505045

CERTIFICATION



SHANGHAI HALEIGH



014
ISO9001:2000
Registration No. 0505045

ROLLERS - STEEL SERIES

PART#	PHOTO	PART#	PHOTO
LX-01		LX-02	
LX-03		LX-04	
LX-05		LX-06	
LX-07		LX-08	
LX-09		LX-10	

SHANGHAI HALEIGH



014
ISO9001:2000
Registration No. 0505045

ROLLERS - STAINLESS STEEL SERIES

PART#	PHOTO	PART#	PHOTO
SX-01		SX-02	
SX-03		SX-04	

TRACK LENGTH: 55" 67" 78.75" 79" 84" 90" 104"	
FLAT TRACK (GX-01)	
TUBE TRACK (GX-02)	







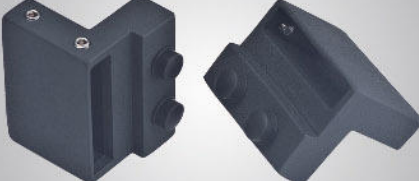
PART#	PHOTO	PART#	PHOTO
HD-01		HD-02	
HD-03		HD-04	

SHANGHAI HALEIGH



014
ISO9001:2000
Registration No. 0505045

COMPONENTS - STEEL SERIES

PART#	ITEM NAME	PHOTO	QTY.	UNIT
LC-01	Spacer		5	pc
LC-02-1	Drop-in Anchor M8×30		5	pc
LC-02-2	Bolt M8×60		5	pc
LC-03	Bolt M10		4	pc
LC-04	Nut M10		4	pc
LC-05	Washer φ 10		8	pc
LC-06	Stopper		2	pc

SHANGHAI HALEIGH



014
ISO9001:2000
Registration No. 0505045

COMPONENTS - STEEL SERIES

PART#	ITEM NAME	PHOTO	QTY.	UNIT
LC-07	Hex Key		1	pc
LC-08	Anti-jump Disc		2	pc
LC-09	Floor Guide		1	pc
LC-10	Expansion Pipe ϕ 8		2	pc
LC-11	Track Joint		1	pc
LC-12	Door Guide - Wall mounted		1	pc
LC-13	Adjustable Spacer		5	pc

SHANGHAI HALEIGH



014
ISO9001:2000
Registration No. 0505045

COMPONENTS - STAINLESS STEEL SERIES

PART#	ITEM NAME	PHOTO	QTY.	UNIT
SC-01	Spacer		4	pc
SC-02	Stopper		2	pc
SC-03	Floor Guide		2	pc
SC-04	Wrench		1	pc
SC-05	Hex Key		2	pc
SC-06	Anchor		4	pc
SC-07	Expansion Screw		2	pc

SHANGHAI HALEIGH



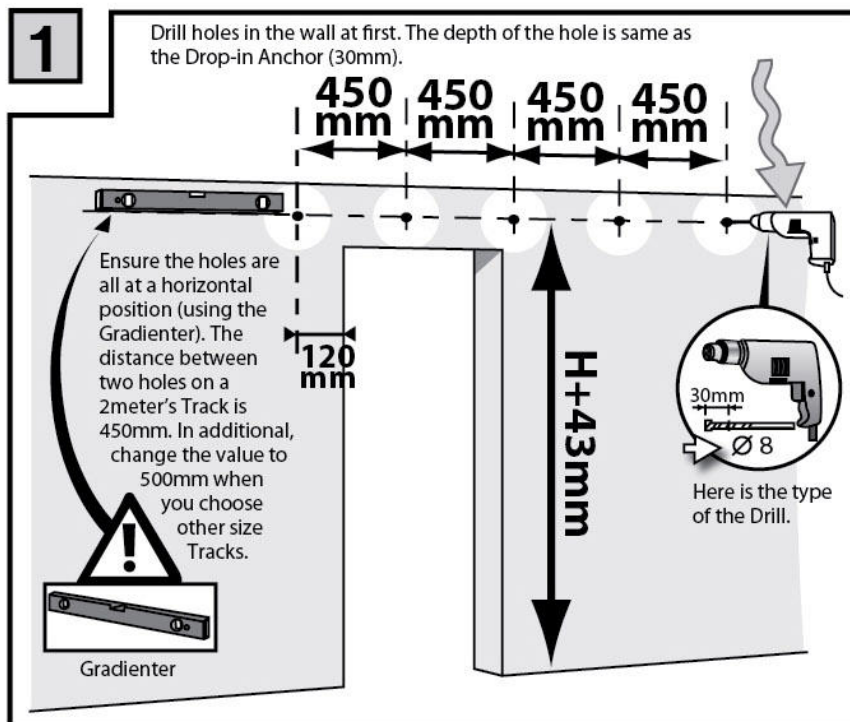
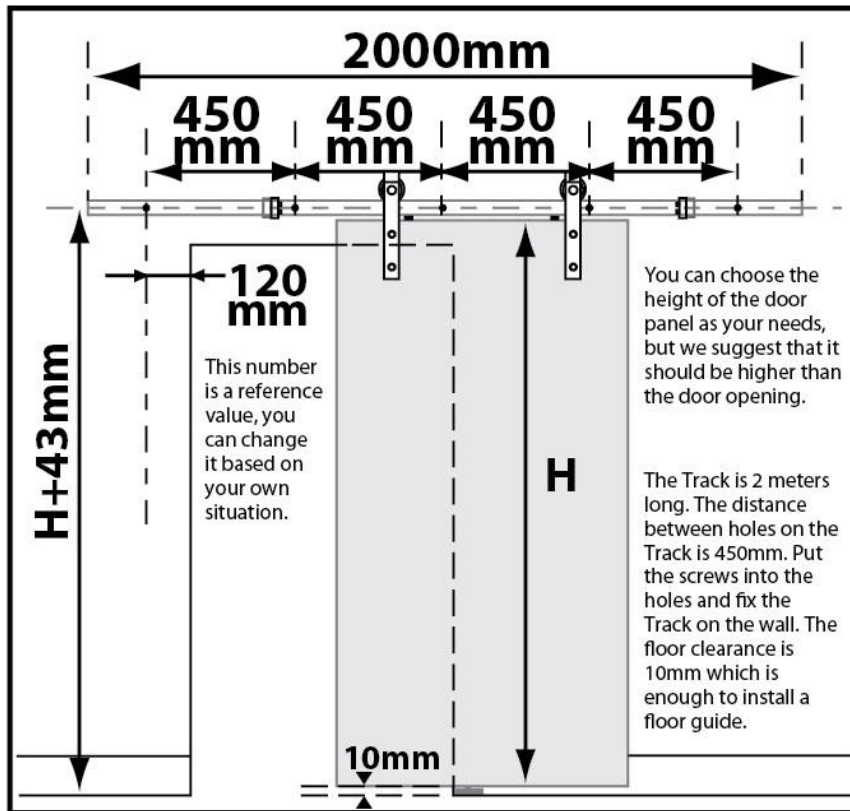
014
ISO9001:2000
Registration No. 0505045

COMPONENTS - STAINLESS STEEL SERIES

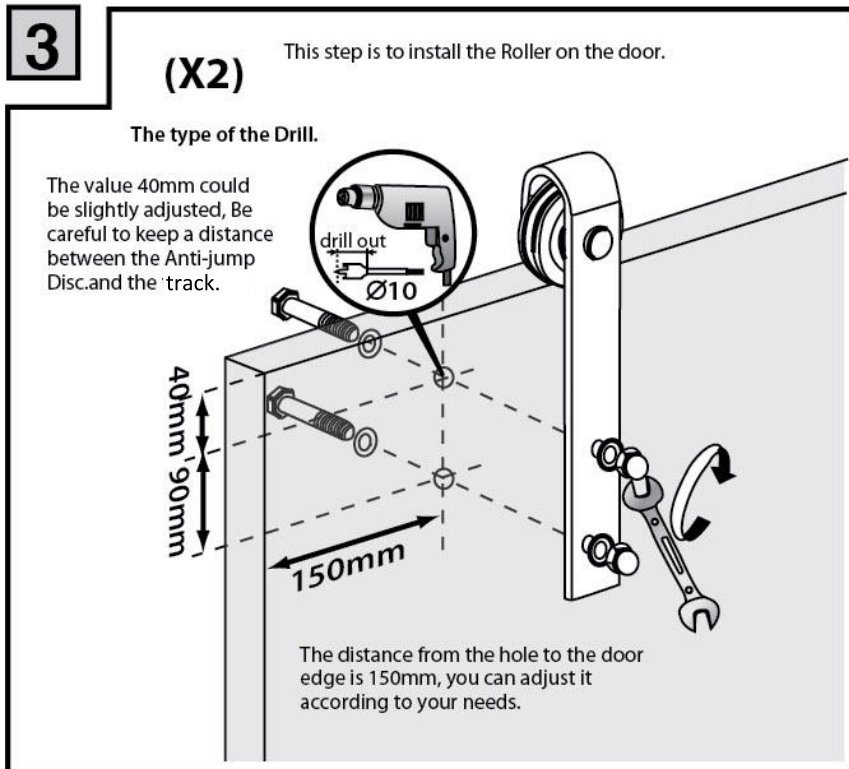
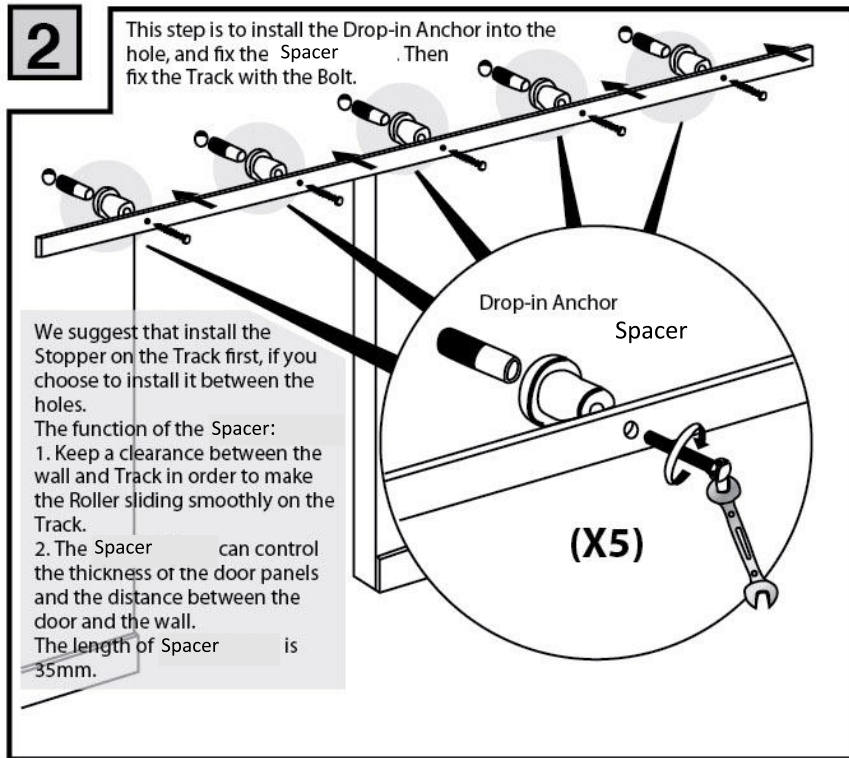
PART#	ITEM NAME	PHOTO	QTY.	UNIT
SCC-01	Spacer		4	pc
SCC-02	Stopper		2	pc
SCC-03	Floor Guide		1	pc
SCC-04	Screw		22	pc
SCC-05	Hex Key		3	pc
SCC-06	Anchor		6	pc
SCC-07	Expansion Clip		4	pc

SHANGHAI HALEIGH

INSTALLATION MANUAL



INSTALLATION MANUAL



INSTALLATION MANUAL

4 This step is to install the Anti-jump Disc. It can effectively prevent the door from dropping down.

The Anti-jump Disc can reduce the clearance between the door and the Track. Also it can absorb the impacts. So that the door cannot drop out from the Track.

(X2)

For installing the Anti-jump Disc, please keep half of the Disc outside of the door frame toward your position at this time. Don't tighten the screws at this step.

5 This step is to hang the door on the Track.

The Floor Guide is inverted "T-Shaped". We need to slotting at the bottom of the door. The depth is 20mm and the width is 7mm. Please check step 6, then you can understand easily.

Put the Disc to the right position at last.

1

2

6 Now we start to install the Floor Guide. Fix it into the floor or floor tile with the Expansion Screws. The distance between two Expansion Pipe is 25.1mm, and the distance between the middle axle of two pipes and the wall is 36.5mm.

Size of the Drill and the depth of the hole.

The Floor Guide should be put inside the groove, and could hardly be seen.

7 The last step is to adjust the Stopper slightly and install it between two holes.

(X2)

End



014
ISO9001:2000
Registration No. 0505045

BUILDERS HARDWARE



SHANGHAI HALEIGH